

MODEL: CT-1212CL-SMT-TR | **DESCRIPTION:** MAGNETIC BUZZER INDICATOR

FEATURES

- surface mount
- washable
- internally driven


SPECIFICATIONS

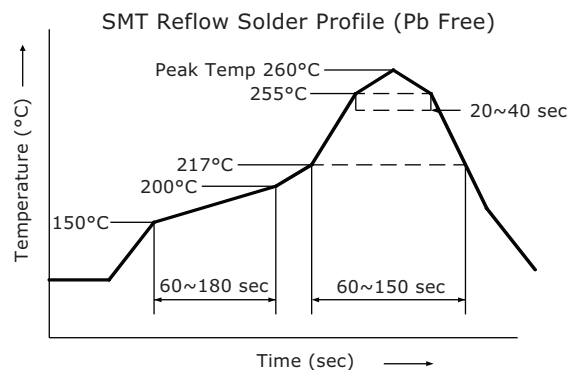
| parameter | conditions/description | min | typ | max | units |
|-----------------------|------------------------------------|-------|-------|-------|-------|
| rated voltage | | | 12 | | Vdc |
| operating voltage | | 8 | | 15 | Vdc |
| current consumption | | | | 30 | mA |
| rated frequency | | 2,200 | 2,400 | 2,600 | Hz |
| sound pressure level | at 10 cm [A-weight], rated voltage | 85 | 90 | | dBA |
| dimensions | 12.8 x 12.8 x 7.1 | | | | mm |
| weight | | | 2.0 | | g |
| material | PPS [S-206] | | | | |
| terminal | SMT type [Sn plating] | | | | |
| operating temperature | | -30 | | 70 | °C |
| storage temperature | | -40 | | 85 | °C |
| RoHS | yes | | | | |

Notes: 1. All specifications measured at 5-35°C, humidity at 45-85%, under 86-106 kPa pressure, unless otherwise noted.

SOLDERABILITY

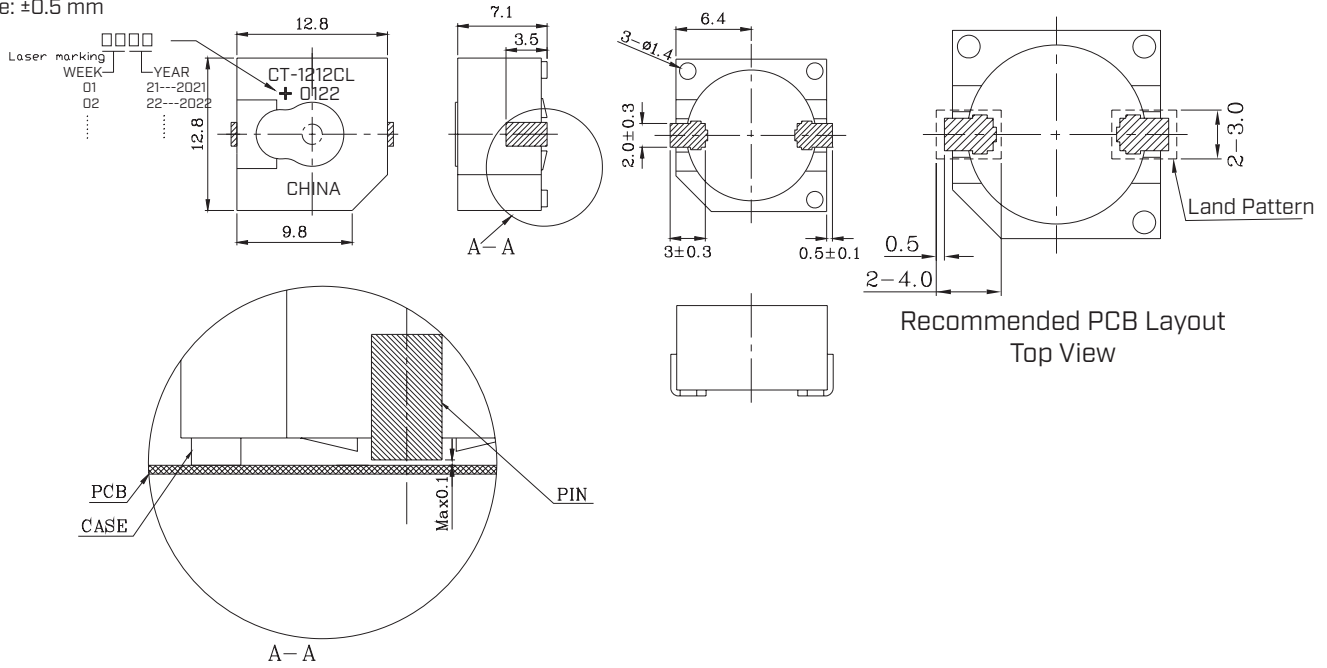
| parameter | conditions/description | min | typ | max | units |
|--------------------------------|--|-----|-----|-----|-------|
| reel storage | at relative humidity <40% | | | 25 | °C |
| reflow soldering ² | see recommended reflow soldering profile | | | 260 | °C |
| drying conditions ³ | bake at 40°C for 24 hours | | | | |

Note: 2. It is recommended to reflow solder within 48 hours from opening vacuum packaging at a temperature <30°C & relative humidity <60%.
3. When out of packaging for more than 48 hours.



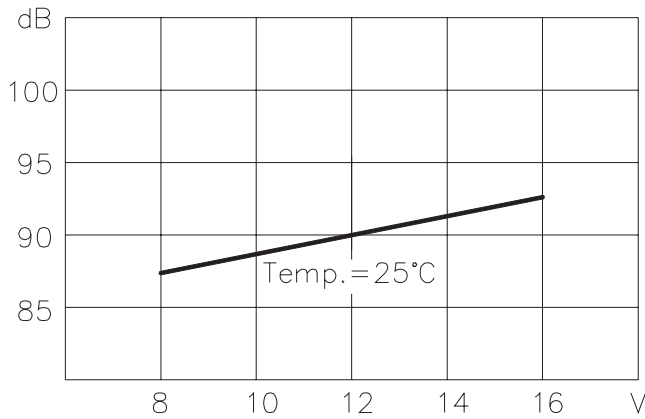
MECHANICAL DRAWING

units: mm
tolerance: ±0.5 mm

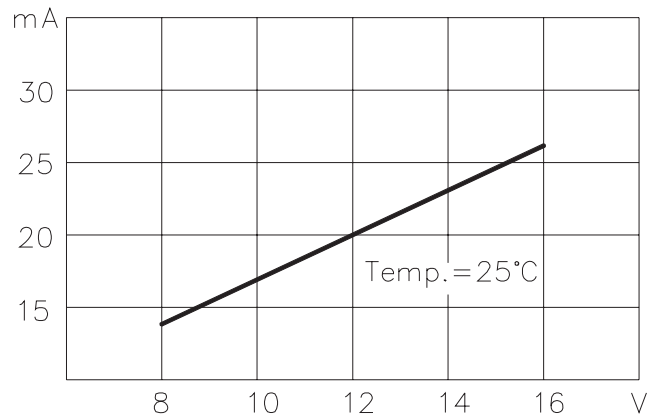


PERFORMANCE CURVES

Voltage vs. Sound Pressure Level

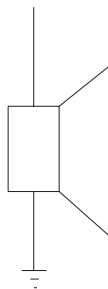


Voltage vs. Current Consumption



MEASUREMENT METHOD

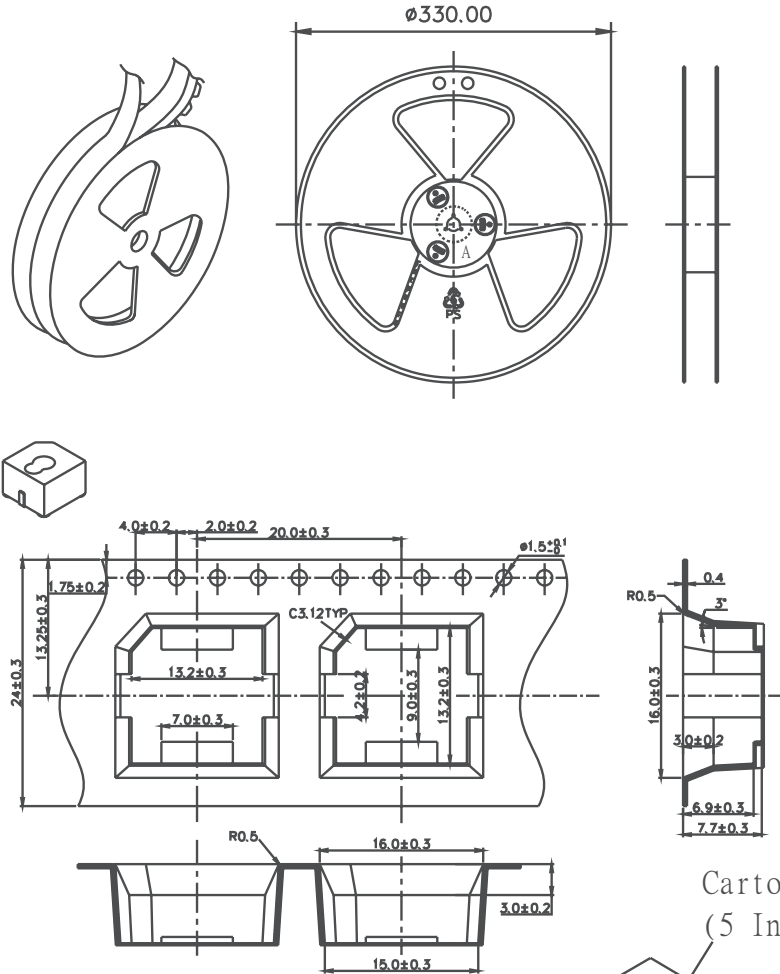
+V DC




PACKAGING

units: mm

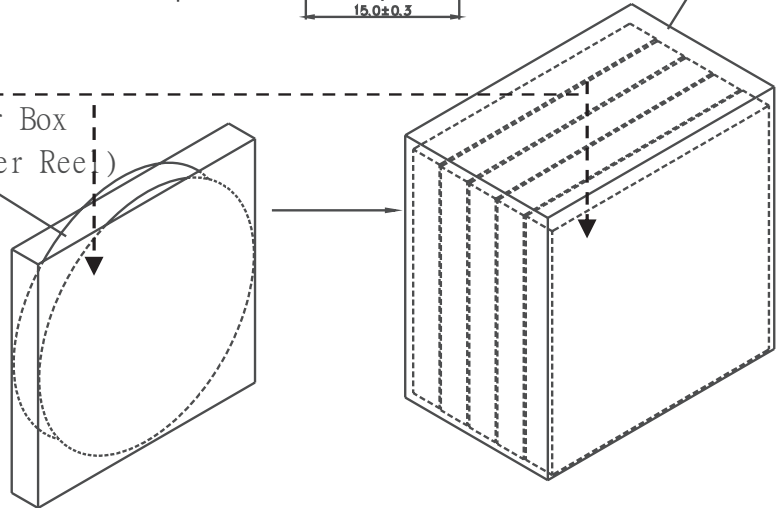
Reel Size: $\varnothing 330$ mm
 Inner Box Size: 340 x 340 x 33 mm
 Carton Size: 350 x 175 x 355 mm
 Reel QTY: 450 pcs per reel
 Carton QTY: 2,250 pcs per carton



Carton Box
(5 Inner Box)

| | |
|-----------|---|
| Lot No. | XXXXXXXXXX |
| Model No. | XXXXXXXXXX |
| Quantity. | XXXX Pcs |
| Date: | |
| | DD MM YY |
| | MADE IN CHINA |
| |  |

Inner Box
(1 Layer Reel)



* The label sticked on inner boxes and the outer of carton.

REVISION HISTORY

| rev. | description | date |
|------|--|------------|
| 1.0 | initial release | 09/22/2006 |
| 1.01 | new template applied | 03/29/2010 |
| 1.02 | updated part number, added TR package option, applied new spec template | 05/03/2013 |
| 1.03 | added storage and drying conditions, and tape and reel packaging details | 07/31/2019 |
| 1.04 | brand update | 01/07/2020 |
| 1.05 | logo, datasheet style update | 08/05/2022 |
| 1.06 | made the tolerance on the rated frequency tighter, moved the printing to the top of the part | 12/14/2022 |

The revision history provided is for informational purposes only and is believed to be accurate.



CUI Devices offers a one (1) year limited warranty. Complete warranty information is listed on our website.

CUI Devices reserves the right to make changes to the product at any time without notice. Information provided by CUI Devices is believed to be accurate and reliable. However, no responsibility is assumed by CUI Devices for its use, nor for any infringements of patents or other rights of third parties which may result from its use.

CUI Devices products are not authorized or warranted for use as critical components in equipment that requires an extremely high level of reliability. A critical component is any component of a life support device or system whose failure to perform can be reasonably expected to cause the failure of the life support device or system, or to affect its safety or effectiveness.

cuidevices.com